

# LT-810-10A DMX-PWM CV Decoder



LTECH developed a new DMX to PWM dimming driver which has solved the compatible problem of the fluorescent dimming system and the LED illumination. LED lamps can be controlled by many traditional intelligent dimming systems such as Lutron, Dynalite, Tridonic, Schneider, Clipsal, Osram, Philips, ABB, etc.

LT-810-10A can load Max 10A current, 12V can load max 120W, 24V can load max 240W.

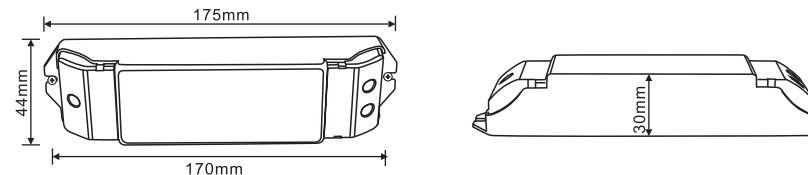
LT-810-10A is designed for dimming. Dimming effect is superior to conventional DMX decoder, 0-100% PWM depth dimming, output with the dimming curve that is more palatable to human vision, provide the user with more comfortable and natural lighting experience.

## 1. Product Parameter:

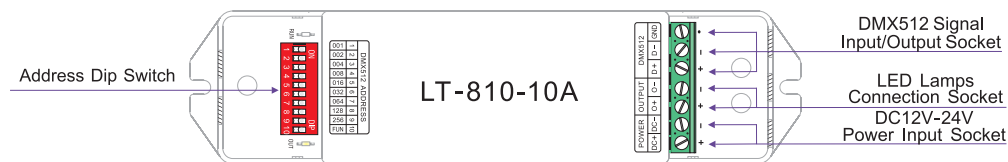
### LT-810-10A DMX-PWM CV Decoder

- Input Signal : DMX512
- Input Voltage : DC12V-DC24V
- Max Load Current : 10A x 1CH Max 10A
- Max Output Power : 120W/240W(12V/24V)
- Dimming Range : 0~100%
- Working Temperature : -30°C~55°C
- Dimensions : L175×W44×H30mm
- Package Size : L178×W48×H33mm
- Weight (G.W.): 120g

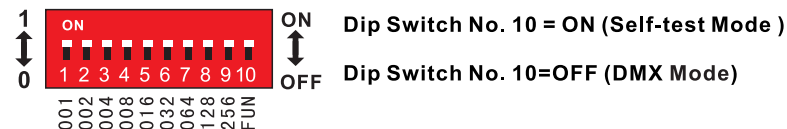
## 2. Product Size:



## 3. Parts Figure:



## 4. Dip Switch Functions:

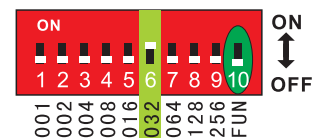


1. E.g.: Initial DMX Address Setting:

Example1: Set Initial Address To 32

Example2: Set Initial Address To 37

Example3: Set Initial Address To 178



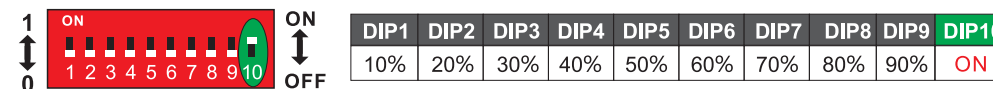
$$001 + 004 + 032 = 37$$



$$002 + 016 + 032 + 128 = 178$$

\* When Dip switch 1-9 are OFF, the initial DMX address defaults to 1.

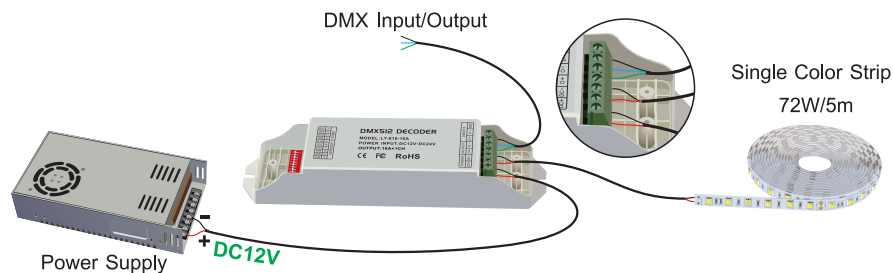
2. Brightness Self-test Mode:



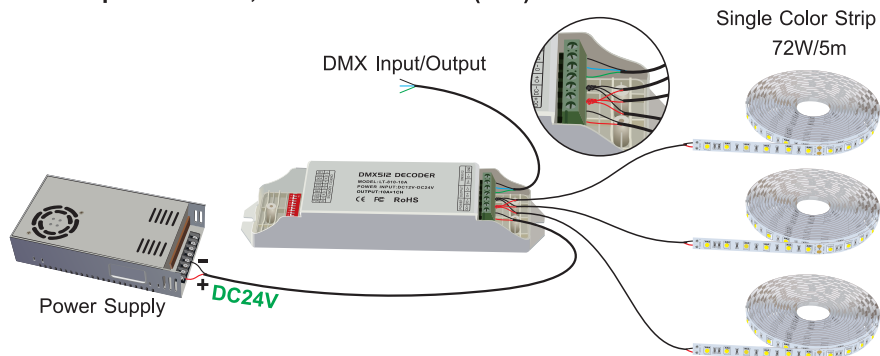
\* DIP switch 1-9 OFF: brightness 100% ;  
When two or more DIP switches ON, brightness is subjected to the highest switch value.

**5. Conjunction Diagram:**

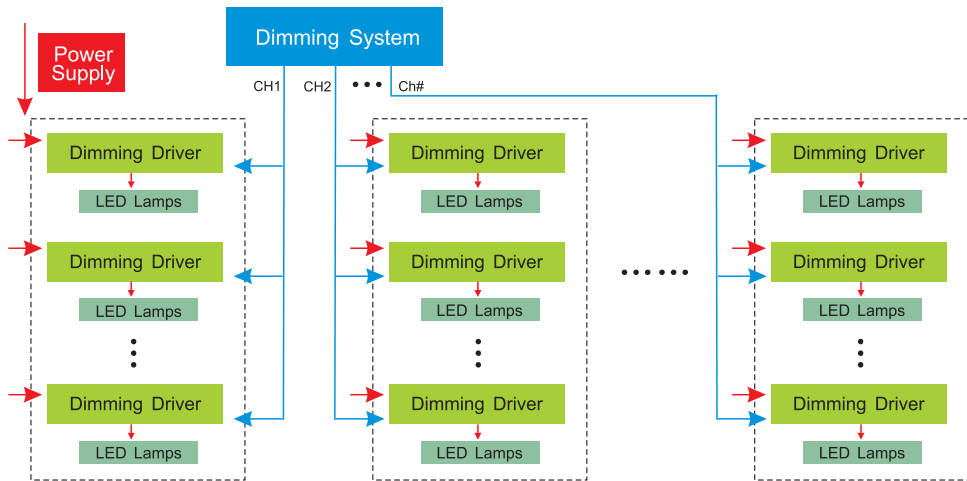
**1) 12V Lamp Connected, Max. Loads 120W(12V):**



**2) 24V Lamp Connected, Max. Loads 240W(24V):**



2) System Connection Diagram:



**6. Attention:**

1. The product shall be installed and serviced by a qualified person.
2. This product is non-waterproof. Please avoid the sun and rain. When installed outdoors please ensure it is mounted in a water proof enclosure.
3. Good heat dissipation will prolong the working life of the controller. Please ensure good ventilation.
4. Please check if the output voltage of any LED power supplies used comply with the working voltage of the product.
5. Please ensure that adequate sized cable is used from the controller to the LED lights to carry the current. Please also ensure that the cable is secured tightly in the connector.
6. Ensure all wire connections and polarities are correct before applying power to avoid any damages to the LED lights.
7. If a fault occurs please return the product to your supplier. Do not attempt to fix this product by yourself.

**7. Warranty Agreement:**

1. We provide lifelong technical assistance with this product:
    - A 5-year warranty is given from the date of purchase. The warranty is for free repair or replacement and covers manufacturing faults only.
    - For faults beyond the 5-year warranty we reserve the right to charge for time and parts.
  2. Warranty exclusions below:
    - Any man-made damages caused from improper operation, or connecting to excess voltage and overloading.
    - The product appears to have excessive physical damage.
    - Damage due to natural disasters and force majeure.
    - Warranty label, fragile label and unique barcode label have been damaged.
    - The product has been replaced by a brand new product.
  3. Repair or replacement as provided under this warranty is the exclusive remedy to the customer. LTECH shall not be liable for any incidental or consequential damages for breach of any stipulation in this warranty.
  4. Any amendment or adjustment to this warranty must be approved in writing by LTECH only.
- ★This manual only applies to this model. LTECH reserves the right to make changes without prior notice.